

UAS-AK P

FOLDING BUTTSTOCK W/ CHEEK PIECE FOR AKM 47 (POLYMER JOINT)

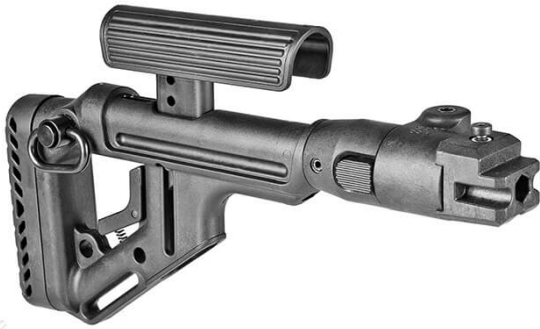
FAB
DEFENSE

KEEP IT REAL.

GENERAL MEASUREMENTS

Weight	456 gr
Width	30 mm
Height	125 mm
Length	250 mm
Height (open / deployed)	160 mm

AVAILABLE COLORS



PRODUCT DESCRIPTION

The UAS-AK P Folding Butt Stock w/ Cheek Piece for stamped AKM 47 (Polymer Joint) offers a supreme tactical upgrade for your AKM 47.

Advantages:

- Tough and robust design, slim and low profile
- Imbedded adjustable cheek piece
- Provides optimal eye to target alignment
- Permits appropriate trigger access when in folded position
- Integrated quick detach sling swivel connectors on both sides - SLS not included in kit
- Rubber butt pad enhances tactical performance and reduce recoil
- Locking is released by the push of a button
- Spring lock on folded position
- Opens by a simple pulling motion and locks
- Left folding stock by default
- May be configured to fold left or right (please designate your preference during purchase)

Compatibility:

AKM-47 (Stamped Receiver) Variants.

Availability:

AK-47 (Milled Receiver), AKMS (Under-folder) & AKS-74U 'Krnikov'

